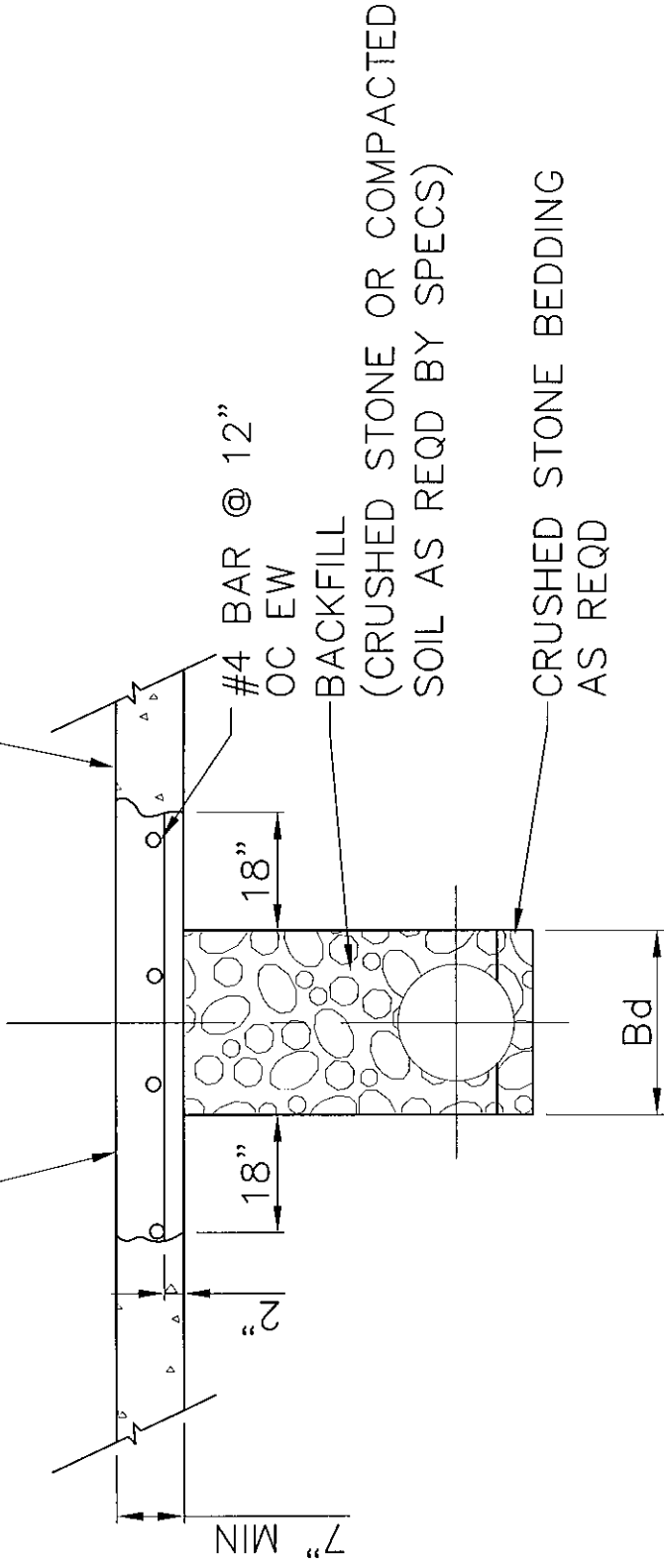


CLASS "A" CONCRETE

EXISTING PORTLAND CEMENT
CONCRETE PAVEMENT



TYPE 5
CEMENT CONCRETE

PAVEMENT REPLACEMENT DETAILS
NOT TO SCALE