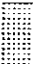




Catoosa County
Government

Legend
Flood Zone

-  500 Year
-  100 Year
-  Floodway

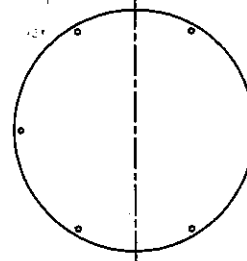
Catoosa County assumes
no responsibility for the legal
accuracy of the information
contained on this map.

PUMP INFORMATION

Type: Grinder Pumps

Control Panel: Duplex N4X with high water alarm

Model NO: Zneller 6840
 Rating: _____ GPM _____ TDH
 Motor: 2 HP 3450 RPM
 Elec: 1 PH 60 HZ 208v
 Elec: _____ FL AMPS



Solid Cover

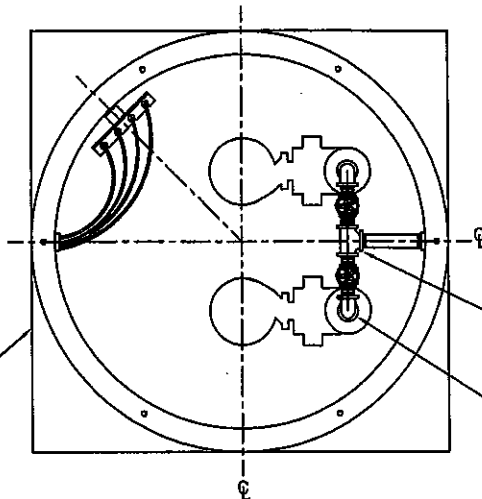
Fiberglass

DISCHARGE PIPE

1.25" 304 Stainless Steel

Vendor: **Walter A. Wood Supply Co.**
 Chattanooga, Tn.
 423-867-1033

Anti-Floatation Flange
 Round Fiberglass



Tee

90° Elbow

3/16" Lifting Chain
 304 Stainless Steel

3/8" 304 Stainless Steel
 Valve Extension Handle

Gate Valve
 Brass

Discharge Coupling
 Stainless Steel

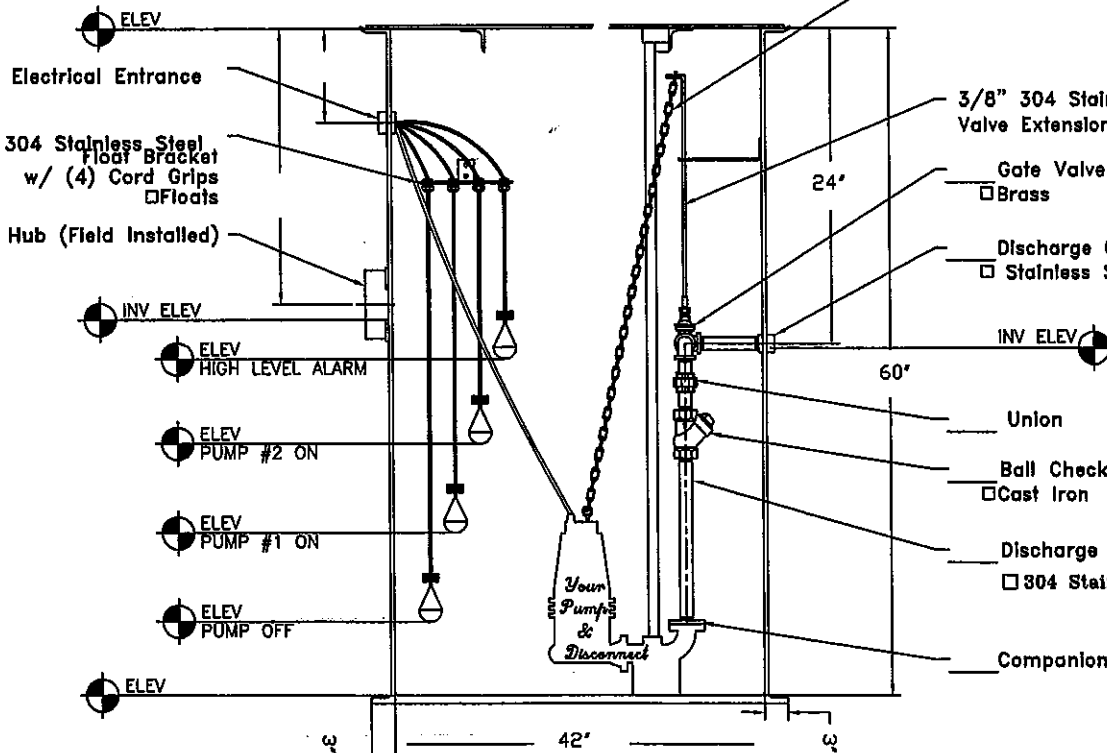
INV ELEV

Union

Ball Check Valve
 Cast Iron

Discharge Pipe
 304 Stainless Steel

Companion Flange



Electrical Entrance

304 Stainless Steel
 Float Bracket
 w/ (4) Cord Grips
 Floats

Inlet Hub (Field Installed)

INV ELEV

ELEV
 HIGH LEVEL ALARM

ELEV
 PUMP #2 ON

ELEV
 PUMP #1 ON

ELEV
 PUMP OFF

ELEV

24"

60"

42"

INDUSTRIES
TOPP
 INCORPORATED

Prefabricated Fiberglass
 Duplex Lift Station
 Reference: Duplex Base Elbow
 Side Discharge

Scale: None
 Drawn By: RMI
 App'd By: .
 Date: 05/16/03

This print is and contains confidential proprietary information owned and controlled by TOPP INDUSTRIES, INC. It is furnished on a strictly confidential basis. This restriction includes, but is not limited to the condition that this print will not only be used as a record or to identify or inspect parts or for other information purposes and will not be used to manufacture or procure the manufacture of the items shown in this print by any other source than TOPP INDUSTRIES, INC.

Highway 26 North P.O. Box 420
 Rochester, IN 48976
 Phone: 800/854-4584 Fax: 574/228-8108

Supersedes Prints
 Prior To: 05/16/03

Reference No: 10101

Revisions

(A)	First Released.